



# Oilfield Equipment

## Stuffing Boxes



**Unlimited  
Petroleum  
Consulting**

**Your Artificial Lift Experts**

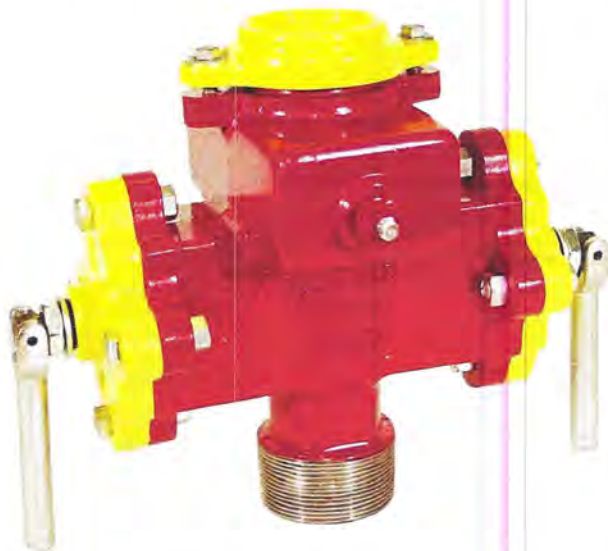
Engineering Services  
Consulting  
Software  
Training  
Oil Well Equipment

[upcoglobal.com](http://upcoglobal.com)



## SBC TYPE "X" STUFFING BOXES

All Type "X" Stuffing Boxes require Skinner Type "B" packing. This type packing has almost four times more life than a ring type packing, and is readily adjustable for the size. All SBC Stuffing Boxes have a bronze type bushing, and the bushing and the rubber packing are the only parts necessary to change from one rod size to another. All threads are lathe cut between centers so the thread is parallel and concentric with the bore of the stuffing box. SBC Stuffing Boxes are available for rod sizes 1-1/8, 1-1/4, 1-3/8, 1-1/2 and 1-3/4, and have working pressures of 1500 PSI. When ordering Type "X" Stuffing Boxes please state size and thread, and polished rod size.



**FIGURE 1**  
WORKING PRESSURE 1500 PSI  
TEST PRESSURE 2175 PSI  
HEIGHT ABOVE TEE 11"

### SBC TYPE "X" SINGLE

SBC Type "X" Single Packed Stuffing Boxes are designed for use on wells which do not require secondary packing, or they may be used in conjunction with a blowout preventer when it is necessary to change the packing under pressure. These Single Packed Stuffing Boxes are made with 2", 2 1/2" and 3" lower connections.

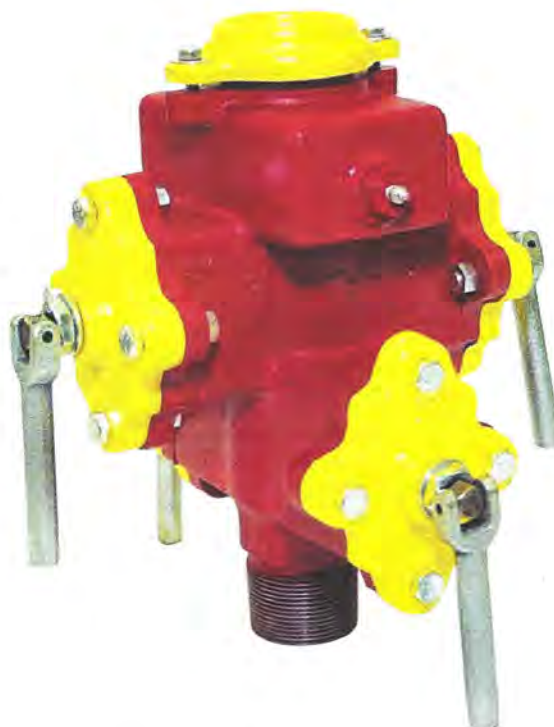
	Approx. Weight
2" .....	60 lbs.
2 1/2" .....	61 lbs.
3" .....	62 lbs.

### SBC TYPE "X" CROSS TWIN

SBC Twin Packed Stuffing Boxes were designed for use where pressure conditions require the use of both sets of packing against the polished rod to insure against leaking, or where packing has to be replaced on wells while under pressure. The top set of packing when entirely used up, can be replaced while the bottom set of packing is holding back the well pressure. After the new set of packing in the top has been put in place the bottom set of packing is then released until further needed.

	Approx. Weight
2" EUE .....	90 lbs.
2 1/2" .....	90 lbs.
3" .....	90 lbs.

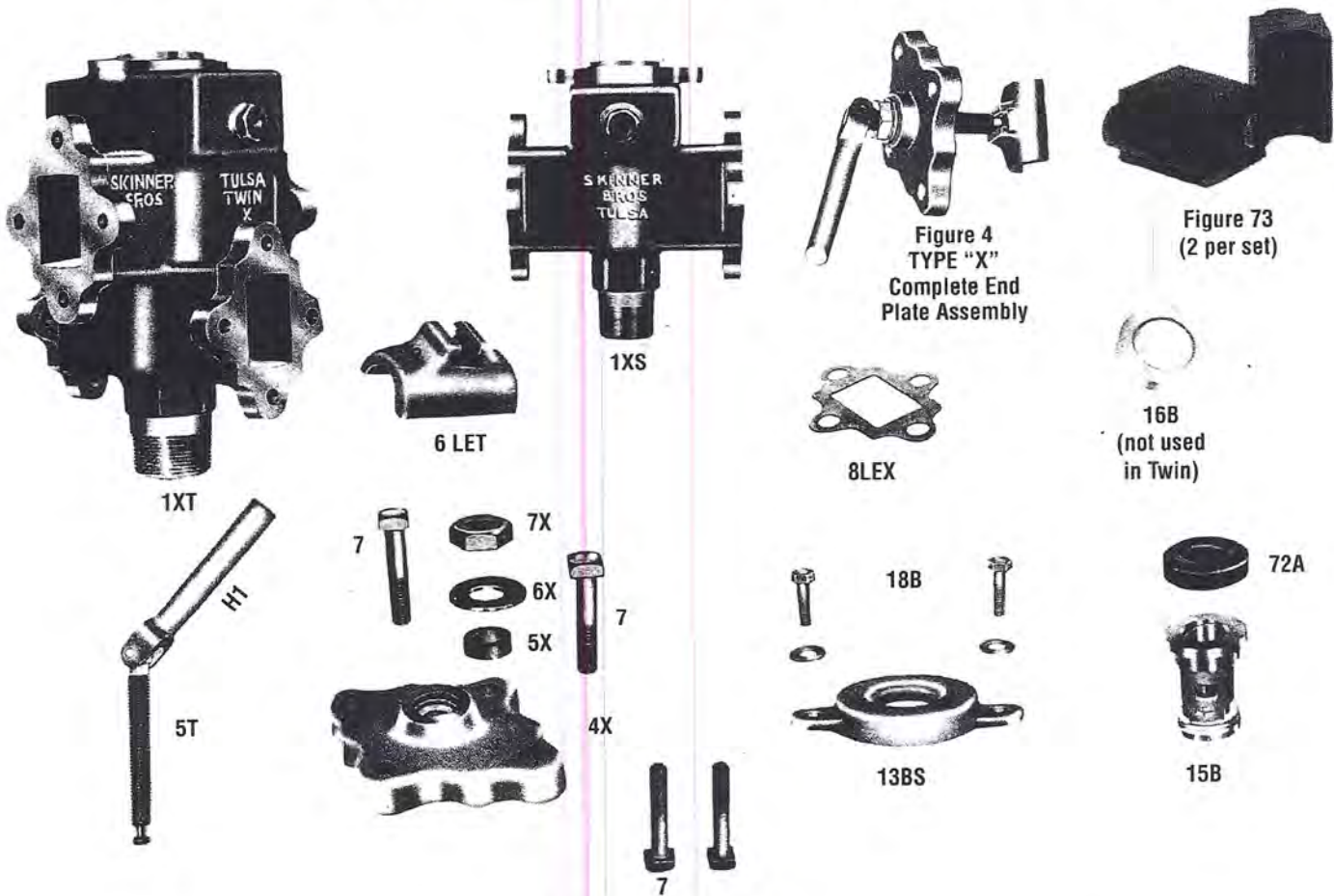
For Parts, see Section A, Page 2.  
For Rubber Packing, see Section D.



**FIGURE 5**  
WORKING PRESSURE 1500 PSI  
TEST PRESSURE 2175 PSI  
HEIGHT ABOVE TEE 14 1/4"

**SKINNER BROS. COMPANY, INC.**  
MANUFACTURERS OF OIL FIELD EQUIPMENT  
Available Only Through Supply Stores

# SBC TYPE "X" STUFFING BOX PARTS LIST



## PARTS LIST

Part Number	Part	Approx. Weight	Number Required	
			(Single)	(Twin)
1XS	Type "X" Single Body Only	36½ lbs.	1	
1XT	Type "X" Cross Twin Body Only	51 lbs.		1
4X	End Plate Only	4 lbs.	2	4
8LEX	Type "X" End Plate Gasket (Lead Optional)	*	2	4
5X	End Plate Rubber Packing	*	2	4
6X	Follower Screw Washer	*	2	4
7X	Follower Screw Lock Nut	*	2	4
5T	Follower Adjusting Screw	½ lb.	2	4
H1	Handle Only	1 lb.	2	4
5TH1	Follower Adjusting Screw with Handle	1¼ lbs.	2	4
6LET	Follower Only	½ lb.	2	4
15B	Upper Insert Bronze Bushing	1¼ lbs.	1	1
16B	Lower Insert Bronze Bushing	¼ lb.	1	
Fig. 72A	Crown Wiper Ring (2½" OD X Polished Rod Size ID)	⅛ lb.	1	1
13BS	Wiper Ring Cover	1½	1	1
18B	Fastener Screw and Washer for Wiper Ring Cover	*	2	2
Fig. 4	Complete End Plate Assembly (Parts 4X, 5X, 6X, 7X, 6LET, 5TH1, 7 and 8 LEX)	6½ lbs.	2	4
Fig. 73	Rubber Packing "B" (Specify Rod Size)	1 lb.	1	2
7	End Plate Bolt and Nut (½" X 2")	*	8	16

\*Weight too meager to list.

**SKINNER BROS. COMPANY, INC.**  
 MANUFACTURERS OF OIL FIELD EQUIPMENT  
 Available Only Through Supply Stores





Unlimited  
Petroleum  
Consulting

Your Artificial Lift Experts

[upcoglobal.com](http://upcoglobal.com)



## Contact

[sales@upcoglobal.com](mailto:sales@upcoglobal.com)

### USA

**Address:**

410 W Grand Parkway S 244  
Katy, Texas 77494

**Phones:**

**Office:** 1-832-437-5193

**Fax:** 1-281-754-4981

### Colombia

**Address:**

Carrera 13A #89 -53 Oficina 303  
Bogota, Colombia

**Phones:**

**Office:** 57-1610-2704

### Mexico

**Address:**

Calle 2 de Enero #111  
Poza Rica, Veracruz

**Phones:**

**Office:** 52-782-160-130

### Venezuela

**Address:**

Calle 68#, Local #21-21  
Maracaibo, Venezuela

**Phones:**

**Office:** 58-261-783-0228

**Fax:** 58-261-783-0060